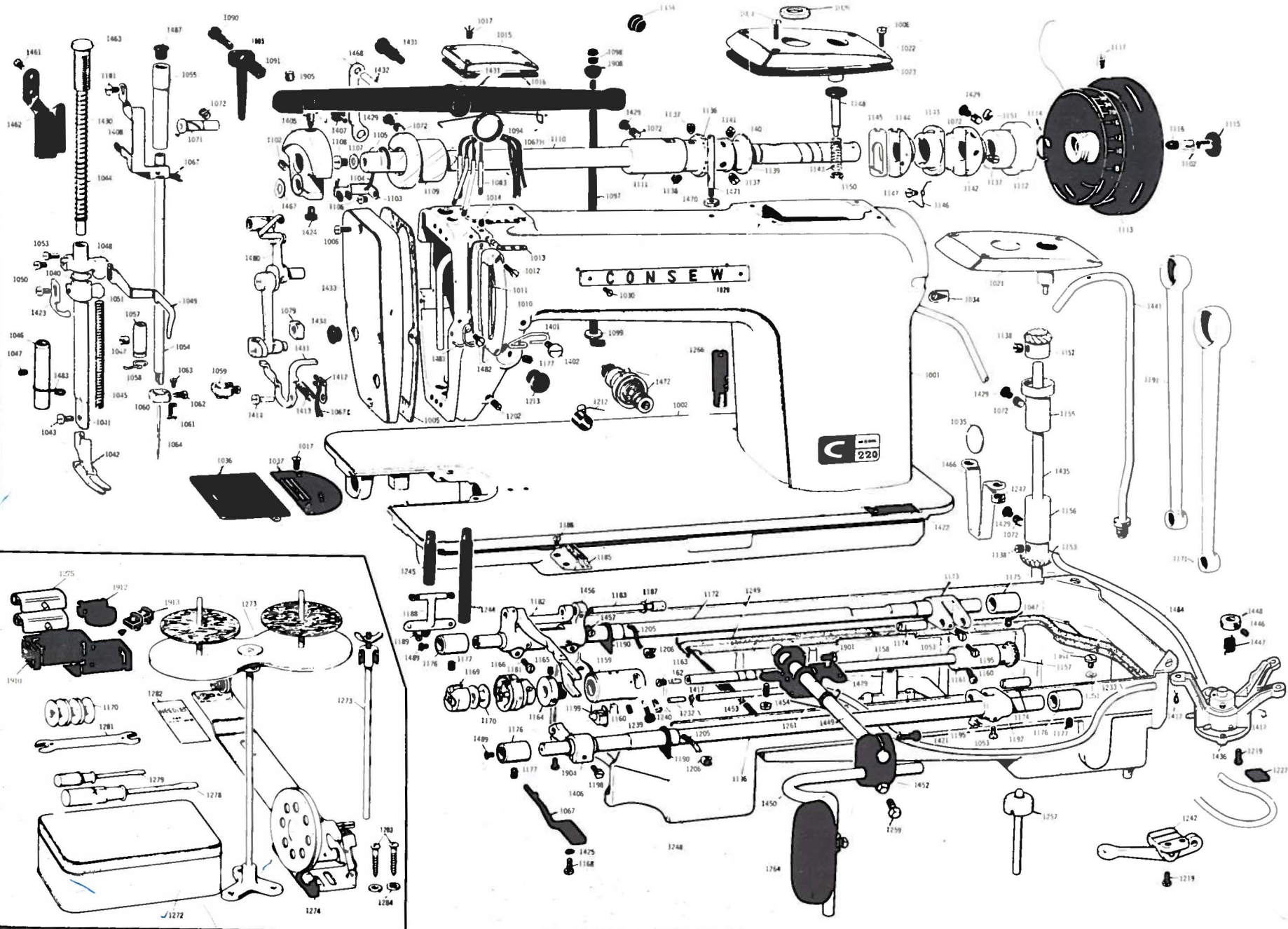


CONSEW



CONSEW PARTS FOR MODELS 220&220B

© 1982 - CONSEW - 282 - Printed in U.S.A.

From the library of: Superior Sewing Machine & Supply LLC

CONSEW PARTS FOR MODELS 220&220B

Parts No.	Name	Parts No.	Name	Parts No.	Name
1001	ARM ONLY	1155	VERTICAL SHAFT UPPER BUSHING	1434	PLUG FOR 1433
1002	BED ONLY	1156	VERTICAL SHAFT LOWER BUSHING	1435	VERTICAL SHAFT ONLY
1005	GASKET FOR 1433	1157	HOOK SHAFT GEAR	1436	OIL PUMP BODY COMPLETE
1006	SCREW FOR 1433	1158	HOOK SHAFT ONLY	1441	OIL FEED TUBE COMPLETE
1010	GUARD FOR TAKE UP LEVER	1159	HOOK SHAFT FRONT BUSHING	1447	SPRING JOINT
1011	GASKET FOR 1010	1160	SET SCREW FOR 1159 & 1161	1448	COLLAR FOR 1447
1012	SCREW FOR 1010	1161	HOOK SHAFT REAR BUSHING	1449	KNEE LIFTER SHAFT
1013	THREAD GUIDE WITH THREE HOLES	1162	FELT FOR 1158	1450	KNEE LIFTER ARM
1014	SET SCREW FOR 1013	1163	SET SCREW FOR 1162	1452	KNEE LIFTER ARM JOINT
1015	COVER PLATE FOR OIL WELL	1164	OIL DEFLECTOR FOR 1159	1453	ADJUST SCREW FOR 1479
1016	GASKET FOR 1015	1165	SET SCREW FOR 1164	1454	NUT FOR 1453
1017	SCREW FOR 1015	1166	ROTATING HOOK ASSEMBLY	1456	FEED BAR BELL CRANK
1021	TOP COVER PLATE COMPLETE	1167	HOOK RETAINER	1457	SET SCREW FOR 1183
1022	TOP COVER PLATE ONLY	1168	SCREW FOR 1167	1461	SET SCREW FOR 1462
1023	GASKET FOR 1022	1169	BOBBIN CASE ASSEMBLY	1462	OIL STOPPER
1024	SCREW FOR 1022	1170	BOBBIN	1463	PRESSURE REGULATOR SCREW
1026	OIL GAUGE WINDOW	1171	FEED ROCK CONNECTING ROD	1464	DRAIN PLUG
1029	NAME PLATE	1172	FEED ROCK SHAFT	1466	BED LEG, RIGHT
1030	SCREW FOR 1029	1173	FEED ROCK ARM	1467	THRUST WASHER FOR 1480
1034	STITCH LENGTH INDICATOR	1174	HINGED PIN FOR 1173	1468	KNEE LIFTER PLATE
1035	PLUG FOR BED HOLE	1175	REAR BUSHING FOR 1172	1470	NUT FOR 1469
1036	SLIDE PLATE COMPLETE	1176	FRONT BUSHING FOR 1172	1471	SPOOL PIN
1037	NEEDLE PLATE	1177	SET SCREW FOR 1176	1472	TENSION COMPLETE
1040	THRUST WASHER FOR 1041	1181	CLAMP SCREW FOR 1456	1479	KNEE LIFTER CONTROLLER
1041	PRESSER BAR ONLY	1182	FEED BAR	1480	TAKE UP LEVER COMPLETE
1042	HINGED FOOT COMPLETE	1183	FEED BAR SHAFT	1481	THREAD GUIDE, LEFT
1043	SCREW FOR 1042	1185	FEED DOG	1482	SET SCREW FOR 1481
1044	PRESSER SPRING OUTER	1186	SCREW FOR 1185	1483	LOWER CLAMP FOR 1484
1045	PRESSER SPRING INNER	1187	THRUST WASHER FOR 1183	1484	OIL RETURN TUBE
1046	BUSHING FOR 1041	1188	OIL WICK HOLDER	1487	RUBBER CAP FOR 1055
1047	SET SCREW FOR 1046 & 1057	1189	SCREW FOR 1188	1489	RUBBER CAP FOR 1172 & 1196
1048	PRESSER BAR GUIDE BRACKET	1190	RUBBER FLANGE	1901	SET SCREW FOR 1479
1049	THREAD REGULATOR	1191	FEED LIFTING CRANK ROD	1904	SET SCREW FOR 1199
1050	SCREW FOR 1049 & 1423	1192	FEED LIFTING BELL CRANK	1905	SET SCREW FOR 1432
1051	PRESSER BAR LIFTER	1195	SET SCREW FOR 1192 AND 1173	1908	STOPPER FOR 1097
1053	SET SCREW FOR 1048	1196	FEED LIFTING SHAFT	1910	HINGE SEAT
1054	NEEDLE BAR ONLY	1198	CLAMP SCREW FOR 1406	1912	RUBBER BASE FRONT FOR BED
1055	NEEDLE BAR UPPER BUSHING	1199	SLIDING BLOCK COMPLETE FOR 1182	1913	RUBBER BASE REAR FOR BED
1057	NEEDLE BAR LOWER BUSHING	1202	SCREW FOR 1414		
1058	THREAD GUIDE FOR 1057	1205	OIL WICK FOR FEED SHAFT		
1059	NEEDLE CLAMP COMPLETE	1206	OIL WICK CONTROL BAND		
1060	NEEDLE CLAMP BODY	1212	CHECK SPRING		
1061	THREAD GUIDE FOR 1060	1213	PACKING FOR 1472		
1062	SCREW FOR 1060	1219	SCREW FOR OIL PUMP		
1063	SCREW FOR 1061	1227	MAGNET		
1064	NEEDLE	1232A	OIL HOSE NIPPLE		
1067A	E OIL WICK	1233A	OIL HOSE		
1071	HINGED STUD FOR 1070	1239	OIL REGULATING VALVE		
1072	SET SCREW FOR 1071	1240	SPRING FOR 1239		
1079	SLIDING BLOCK FOR 1077	1242	KNEE LIFTER RELEASE LEVER COMPLETE		
1083	GUIDE TUBE FOR 1067B				
1085	PRESSER BAR LIFTER LEVER	1244	BED LEG FRONT		
1090	HINGE SCREW FOR 1085	1245	BED LEG REAR		
1091	LOCK NUT FOR 1085	1247	NUT FOR 1466		
1093	HINGE SCREW FOR 1431	1248	OIL PAN ONLY		
1094	SPRING FOR 1431	1248	OIL PAN GASKET		
1097	KNEE LIFTER PULL ROD	1251	PACKING FOR 1464		
1098	NUT FOR 1097	1257	KNEE LIFTER PLUNGER		
1099	FELT WASHER FOR 1097	1259	SET SCREW FOR KNEE LIFTER		
1101	SET SCREW FOR 1405	1261	SPRING FOR 1479		
1102	SET SCREW FOR 1480	1264	KNEE LIFTER PAD COMPLETE		
1103	RETAINER PLATE FOR 1104	1266	GUIDE SLEEVE FOR 1097		
1104	OIL WICK FOR 1480	1272	ACCESSORY BOX		
1105	SPRING FOR 1104	1273	SPOOL HOLDER		
1106	SCREW FOR 1103	1274	BOBBIN WINDER ASSEMBLY		
1107	TOP SHAFT FRONT PACKING	1275	BED HINGE		
1108	SCREW FOR 1107	1278	SCREW DRIVER, LARGE		
1109	TOP SHAFT FRONT BUSHING	1279	SCREW DRIVER, SMALL		
1110	TOP SHAFT ONLY	1281	WRENCH, SMALL		
1111	TOP SHAFT CENTER BUSHING	1282	NEEDLES		
1112	TOP SHAFT REAR BUSHING	1283	WOOD SCREW FOR 1274		
1113	HAND WHEEL	1284	WASHER FOR 1283		
1114	PACKING FOR 1113	1401	THREAD GUIDE, RIGHT		
1115	CAP SCREW FOR 1113	1402	SET SCREW FOR 1401		
1116	TOP SHAFT OIL STOPPER	1405	TAKE UP LEVER CRANK		
1117	SET SCREW FOR 1113	1406	FEED LIFTER BELL CRANK		
1136	TOP SHAFT GEAR	1407	HINGE SCREW FOR 1431		
1137	SET SCREW FOR CAM & GEAR	1408	OIL WICK RETAINER		
1138	SET SCREW FOR 1136	1411	THREAD TENSION RELEASE		
1139	FEED CAM RATCHET	1412	OIL WICK RETAINER		
1140	FEED RASING CAM	1413	SPRING FOR 1411		
1141	SET SCREW FOR 1140	1414	SHAFT FOR 1411		
1142	FEED CAM GUIDE	1417	OIL HOSE CLIP		
1143	FEED CAM SLIDE BLOCK	1421	CLAMP SCREW FOR 1452		
1144	FEED CAM	1422	NEEDLE SIZE PLATE		
1145	STOP PIN FOR 1139	1423	ADJUST PLATE FOR TENSION RELEASE		
1146	SPRING FOR 1145				
1147	SET SCREW FOR 1146	1424	CLAMP SCREW FOR 1480		
1148	PUSH BUTTON	1425	SPRING, WASHER FOR 1168		
1149	SPRING FOR 1148	1429	PLUG FOR SCREW HOLE		
1150	RETAINING RING FOR 1149	1430	PRESSURE REGULATOR BAR		
1151	SET SCREW FOR 1142	1431	KNEE LIFTER LEVER		
1152	VERTICAL SHAFT UPPER GEAR	1432	KNEE LIFTER BAR		
1153	VERTICAL SHAFT LOWER GEAR	1433	FACE COVER PLATE		

PART TO BE USED MODEL 220B ONLY

- 1506 TAKE UP LEVER COMPLETE
- 1507 RETAINER PLATE FOR OIL WICK
- 1508 ADJUSTING PLATE FOR TENSION RELEASE
- 1509 NEEDLE BAR LOWER BUSHING
- 1511 NEEDLE PLATE
- 1514 ROTATING HOOK ASSEMBLY
- 1515 NEEDLE

PARTS TO BE USED FOR MODEL 220B ONLY

